

DURAVIT DuraStyle

2155.09

BTW toilet suite

Requires **063.79** softclose seat

Back inlet water connection

S pan connector included

S pan set out 70 - 155

Water Efficiency: 4 star rating

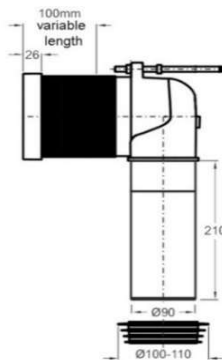
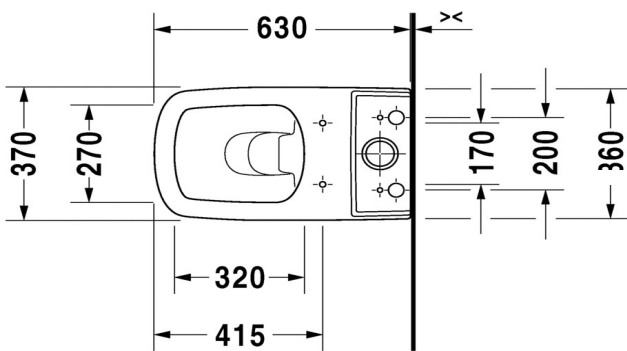
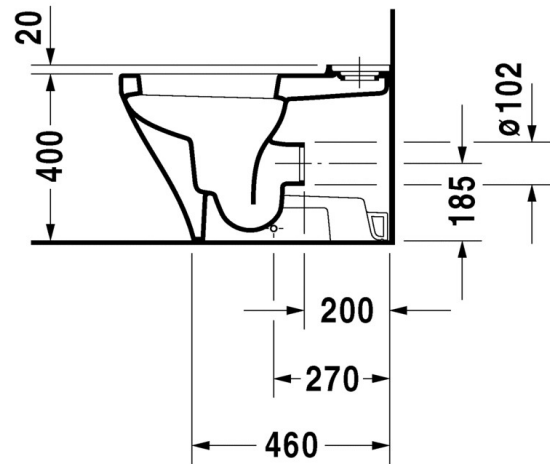
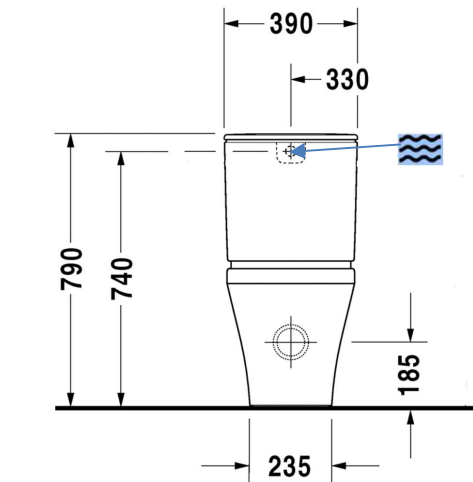
Water consumption: 4.5/3L

Operating Pressure: 50 - 500Kpa.

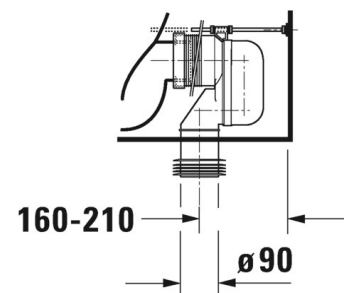
10 year warranty (Vitreous china)

2 year warranty on seat

1 year warranty working parts & fittings



Standard connector



Above connector sold
Separately, if required

#8990250000

Due to our policy of continuous product development, the design and specification shown are subject to change without notice.

Please confirm all particulars with your sales consultant prior to purchase.

